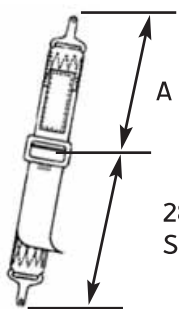
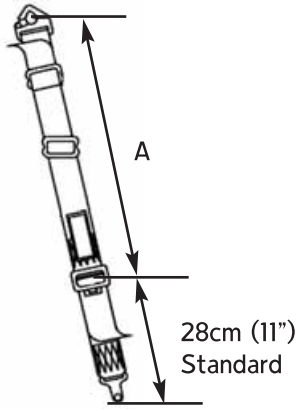
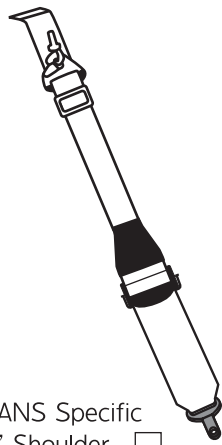

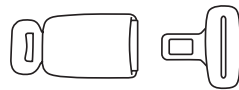


|  |  |                            |  |  |  |  |  |  |  |       |  |  |  |  |
|--|--|----------------------------|--|--|--|--|--|--|--|-------|--|--|--|--|
| Date:  |  | <b>Internal use</b>        |  |  |  |  |  |  |  |       |  |  |  |  |
| Dealer Name:   |  | Code: <input type="text"/> |  |  |  |  |  |  |  |       |  |  |  |  |
| Customer Name:   |  | Description:               |  |  |  |  |  |  |  |       |  |  |  |  |
| Contact No. in case of query (Daytime):  |  |                            |  |  |  |  |  |  |  |       |  |  |  |  |
| Email address:   |  |                            |  |  |  |  |  |  |  |       |  |  |  |  |
| F.I.A Approved <input type="checkbox"/> SFI Approved <input type="checkbox"/> E Approved <input type="checkbox"/>  |  |                            |  |  |  |  |  |  |  |       |  |  |  |  |
| Number of Harnesses Required:  |  |                            |  |  | Measurements in: <input type="checkbox"/> mm <input type="checkbox"/> Inches |  |  |  |  |       |  |  |  |  |
| Colour: <input type="checkbox"/> Red <input type="checkbox"/> Blue <input type="checkbox"/> Black <input type="checkbox"/> Yellow <input type="checkbox"/> Green <input type="checkbox"/> Silver <input type="checkbox"/> Orange |  |                            |  |  |  |  |  |  |  |       |  |  |  |  |
| Make of Vehicle:   |  |                            |  |  | Type:  |  |  |  |  | Year: |  |  |  |  |

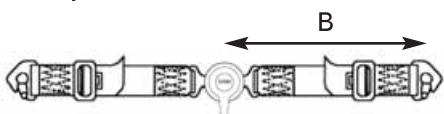
|  |  |   |  |   |  |  |  |
|--|--|---|--|---|--|--|--|
|  <p>28cm (11") Standard</p> |  |  <p>28cm (11") Standard</p> |  |  <p>HANS Specific 2" Shoulder <input type="checkbox"/></p> |  |  <p>Rotary (Aircraft) Buckle <input type="checkbox"/></p> |  |
| Single Seater Type <input type="checkbox"/>  |  | Two Seat kit Car <input type="checkbox"/>   |  | Saloon Type <input type="checkbox"/>  |  | Lever Latch & Link <input type="checkbox"/>  |  |
|  |  |   |  |   |  |  <p>Push Button <input type="checkbox"/></p>            |  |

**Shoulder Straps - measurements should be taken with driver seated in vehicle**

Webbing Width: 75mm (3")  50mm (2")

Length:  (Measure distance "A" from centre of anchor mounting tongue to centre of adjuster)

**Lap Straps - measurements should be taken with driver seated in vehicle**

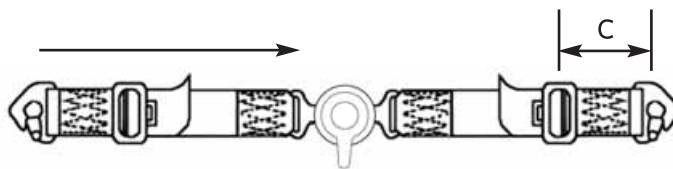


Webbing Width: 75mm (3")  50mm (2")

Length:  (Measure distance "B" from centre of anchor mounting to centre of release buckle)

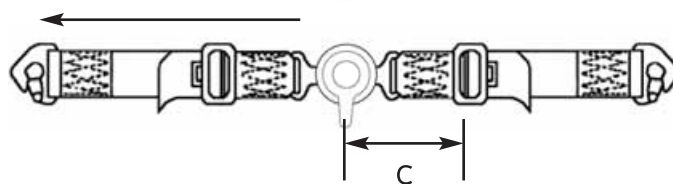
**Direction of Lap Strap Adjustment**

Pull Up



standard

Pull Down



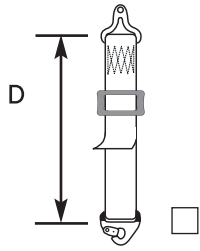
Single Seater Pinch Plates



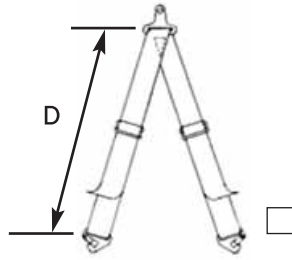
Length C:  Standard length of dimension 'C' Pull Up or Pull Down is 6" (15cm) Centres

**Crotch Strap - Measurements should be taken with driver seated in vehicle**

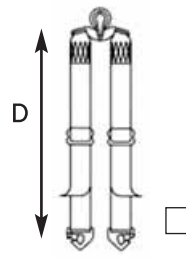
Single point crutch



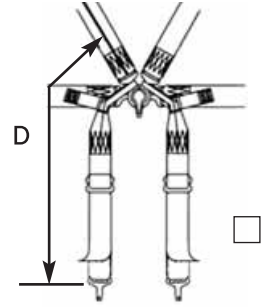
V crutch



2 point crutch



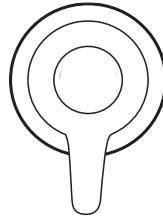
Single seater crutch



Length D:  (Measure Distance "D")

**Rotary Buckle Permanently Fixed To:**

Right Hand Lap Strap   
(Std for single seater or 4pt saloon)



Left Hand Lap Strap

Crotch Strap  
(Std for 5pt/6pt saloon)

**Anchorage** (Mark appropriate box to identify requirement)

| Snap Hook | Bolt Fixing Type A                                       | Wrap Around   | Looped & Sewn                        | Pinched Becket                       | Bolt Fixing Type B                               | Pinch Plates                                 | Open End | Carabina |                 |
|-----------|--|---|--------------------------------------|--------------------------------------|--|--|----------|----------|-----------------|
|           | <br>Please state hole diameter: 8 mm or 8.8 mm or 9.5 mm | <br>If using this type of mounting provision must be made to prevent lateral movement | <br>Please state loop diameter in CM | <br>Please state loop diameter in CM | <br>Please state hole diameter: 12 mm (1/2 inch) | <br>Please state hole diameter: 8 mm or 9 mm |          |          |                 |
|           |  |   |                                      |                                      |  |  |          |          | Shoulder Straps |
|           |  |   |                                      |                                      |  |  |          |          | Lap Straps      |
|           |  |   |                                      |                                      |  |  |          |          | Crotch Straps   |

**Adjuster Types & Extras** (Mark appropriate box)

| 3 Bar Locker | Standard 50mm (2") Adjuster | 75mm (3") Steel Adjuster | 75mm (3") Aluminium Alloy Adjuster | 50mm (2") Aluminium Alloy Adjuster | Velcro Shoulder Straps | HANS Specific (2") |                 |
|--------------|-----------------------------|--------------------------|------------------------------------|------------------------------------|------------------------|--------------------|-----------------|
|              |                             |                          |                                    |                                    |                        |                    |                 |
|              |                             |                          |                                    |                                    |                        |                    | Shoulder Straps |
|              |                             |                          |                                    |                                    |                        |                    | Lap Straps      |
|              |                             |                          |                                    |                                    |                        |                    | Crotch Straps   |

**Technical Tip**  
Use Alloy Adjusters for fast and easy adjustment

**Notes:**