

INSTRUCTIONS FOR BACK-MOUNTING RACETECH SEATS TO ROLLCAGE/CHASSIS

This instruction refers to the following Racetech seat models:

4100 Series (RT4100, RT4100T, RT4100WT, RT4100HR, RT4100THR, RT4100WTHR)

119 Series (RT4119HRW, RT4119THR, RT4119WHR, RT4119WTHR, RT9119HRW, RT9119THR, RT9119WHR, RT9119WTHR)

Fit the seat into the vehicle using the side-mount brackets and adjust to the approximate position of the driver's preference. Drivers are encouraged to trial this seat position during testing and adjust as required. Once the seat position is confirmed, measurements can be taken for installation or fabrication of the back bracket. The images below are examples of how a back bracket assembly can be used in different configurations to fit to the rollcage tube at the correct height. For a bolt-on option, Racetech offers the RTB2115B fixed bracket or RTB3115B adjustable bracket with, or without, a pair of RTB2005C clamps (see Example Configurations below - many more configurations are possible. Note: If you are mounting your shoulder harness straps to the same rollcage tube, be aware of the recommended/mandated harness installation angles.

The majority of 119 Series seats are homologated with side and back-mount brackets. The RT4119HRW and all 4100 Series seats have been homologated to FIA 8855-1999 with only side-mounts, but they are also back-mount compatible for additional safety and improved feel of the car. While we recommend the use of Racetech brackets, customers may fabricate all brackets, using appropriate engineering consideration (options are not limited to the examples below). The FIA 8855-1999 Standard requires brackets to be fabricated from either 5mm aluminium or 3mm steel.

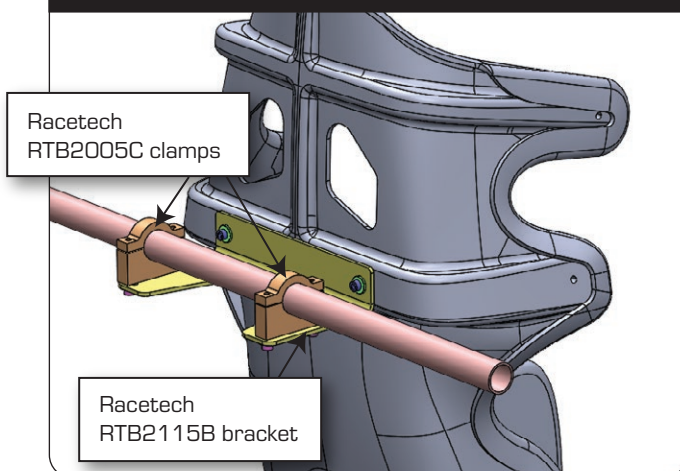
ADVISED FITTING DETAILS

Bracket to seat - M8x1.25 (12.9) cap screws and 22 x 3mm washers.

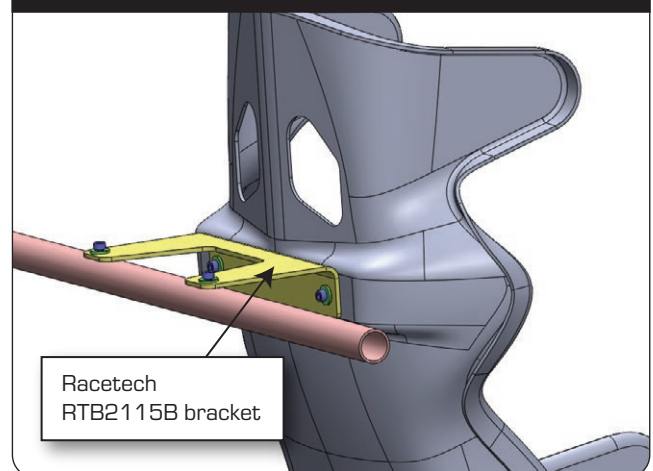
Bracket to chassis (CONFIG. A, C, D) - RTB2005C clamps are supplied with cap screws and washers.

Bracket to chassis (CONFIG. B) - two M8 (or larger) 12.9 grade cap screws and washers required.

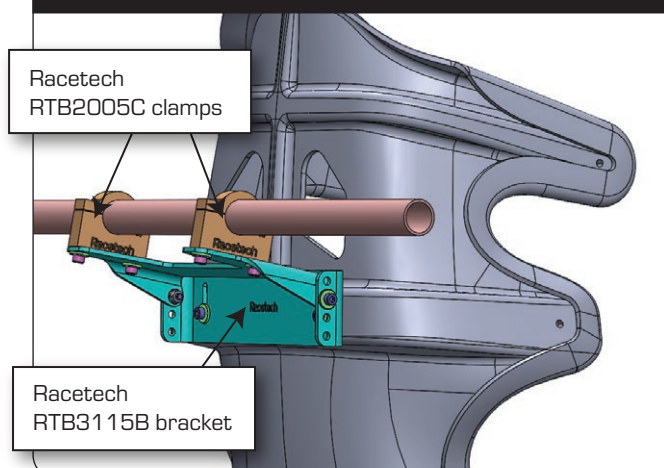
EXAMPLE CONFIGURATION - A



EXAMPLE CONFIGURATION - B



EXAMPLE CONFIGURATION - C



EXAMPLE CONFIGURATION - D

